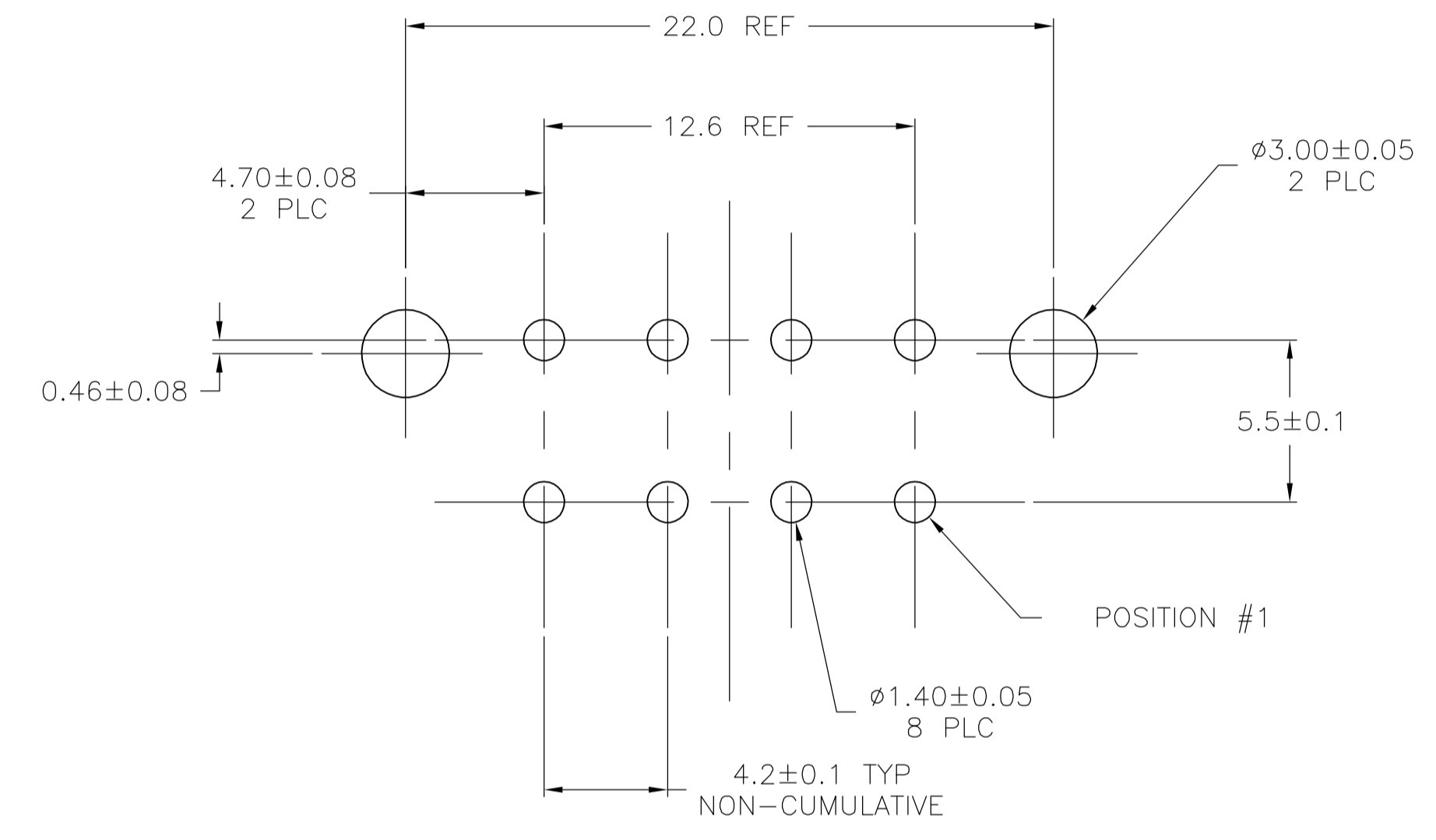
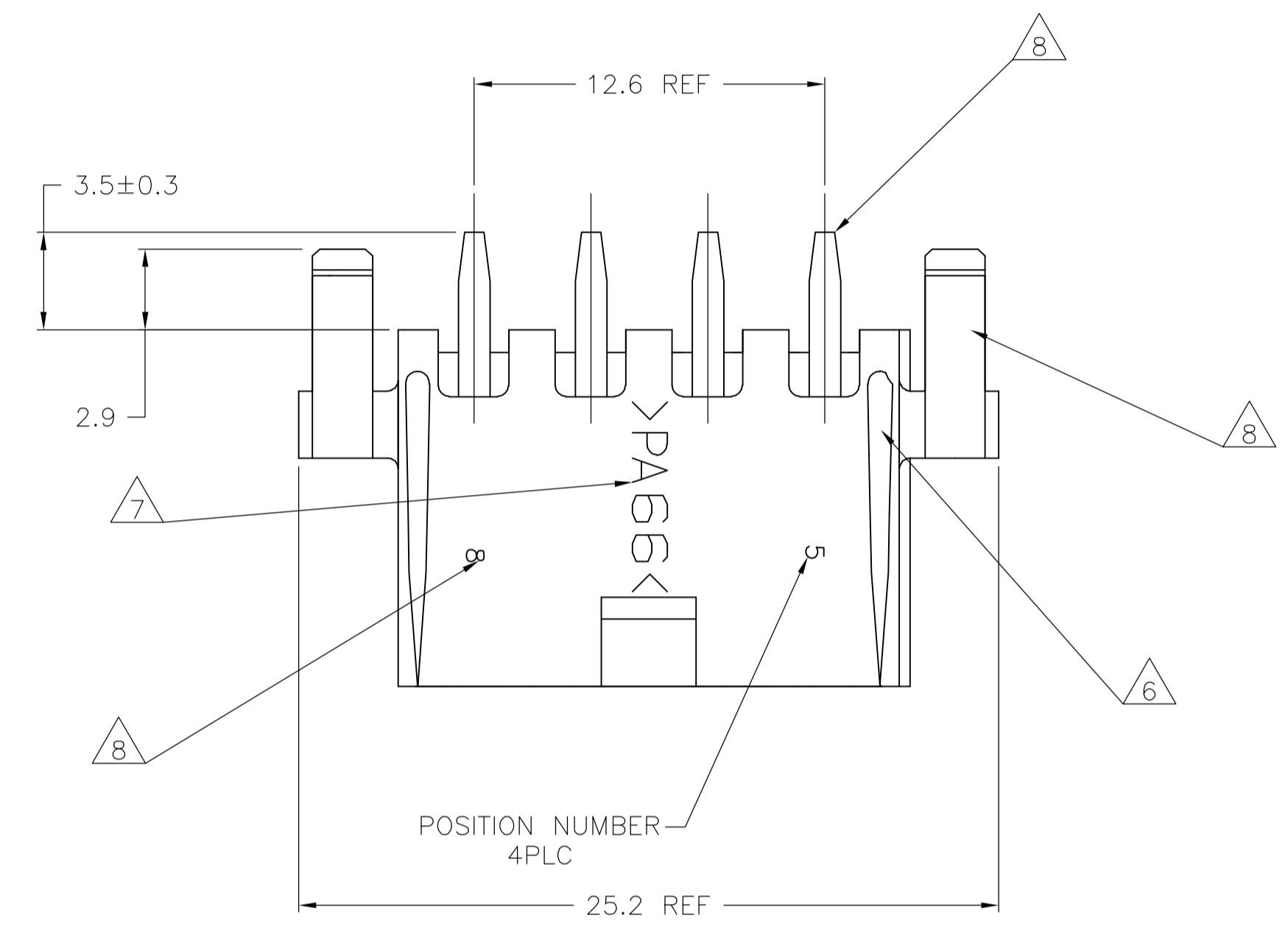
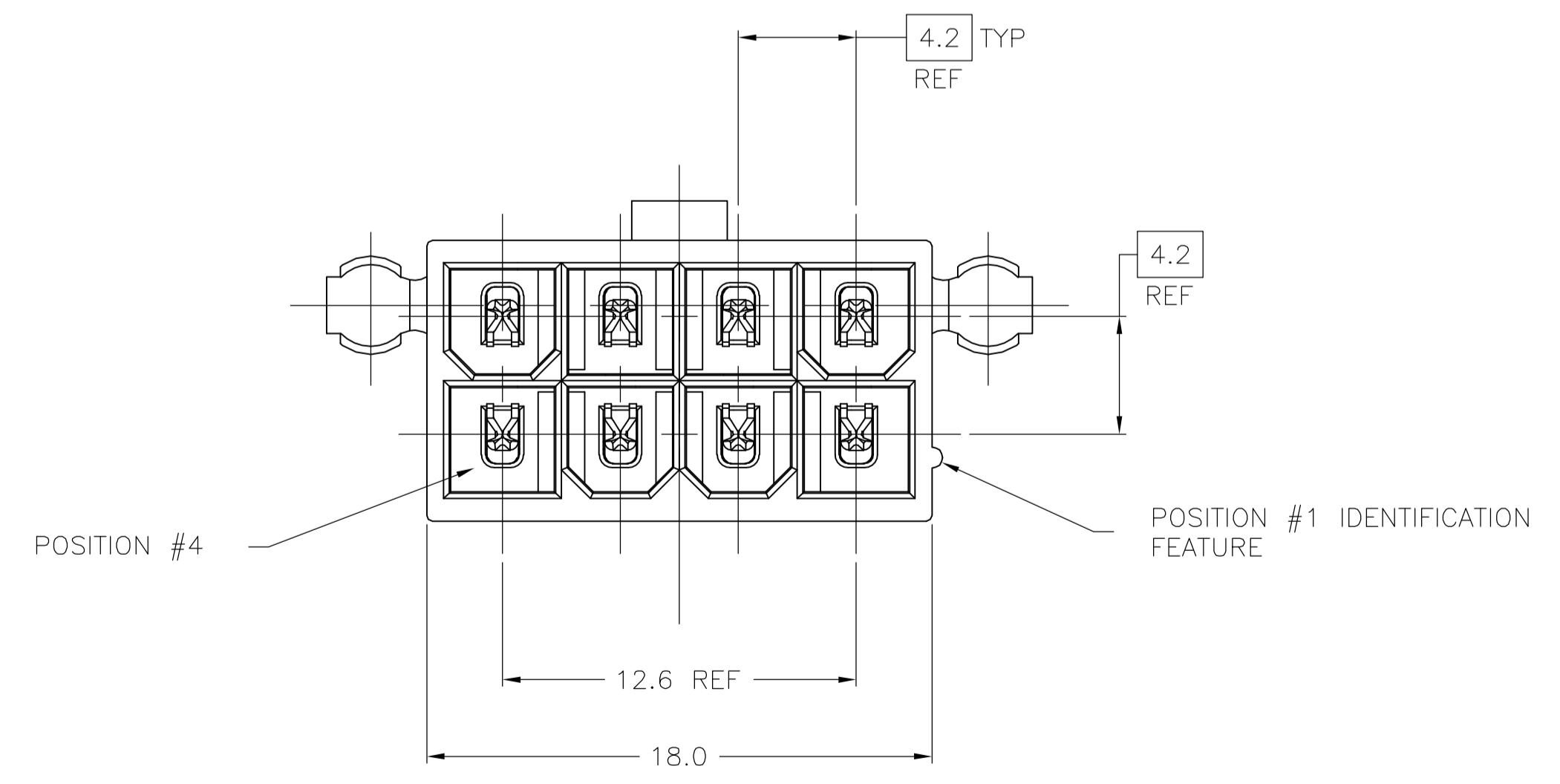
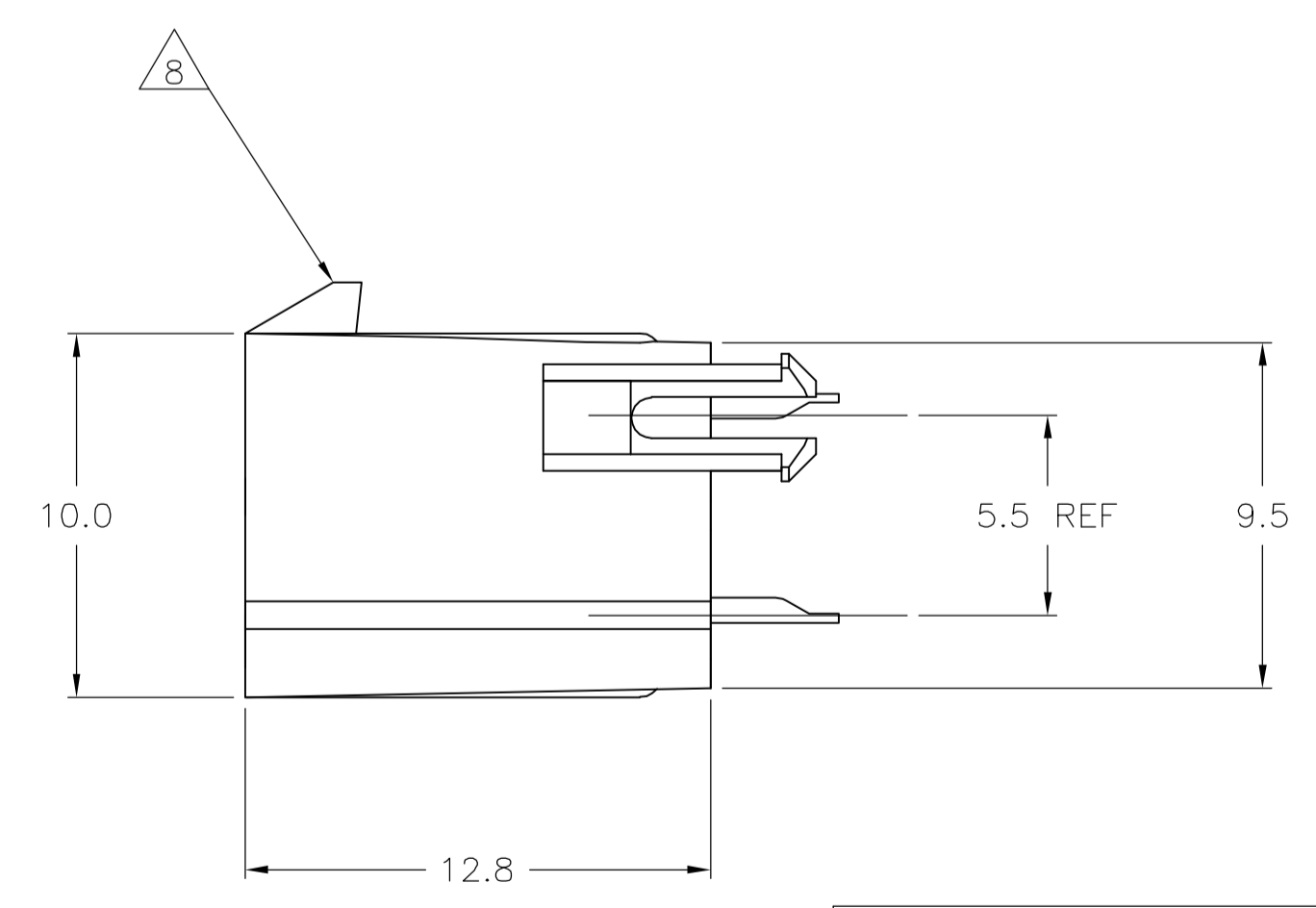


LOC		DIST		REVISIONS			
P	LTR	DESCRIPTION	DATE	BY	APPV		
E		ECO-06-013158	27JUN06	BSV	DC		

- 1 MATERIAL:
HOUSING: NYLON, UL94V-2 (COLOR - NATURAL, COLOR OF PARTS MAY VARY).
CONTACTS: 0.25 THK COPPER ALLOY.
- 2 CONTACT FINISH: 0.003 MIN THK TIN-LEAD OVER 0.00127 MIN THK NICKEL OVER ENTIRE CONTACT.
- 3 CONTACT FINISH: 0.00076 MIN THK GOLD PLATE ON PIN MATING SURFACE, 0.003 MIN THK TIN-LEAD PLATE ON SOLDER TAIL, ALL OVER 0.00127 MIN THK NICKEL BASE PLATE.
- 4. SOLDER TAIL MEETS AMP SOLDERABILITY SPECIFICATION 109-11-2.
- 5. MATES WITH SIMILARLY PLATED AMP-DUAC™ POWER CONNECTOR RECEPTACLE HOUSINGS/SOCKET CONTACTS.
- 6 RIBS ON FOUR CORNERS OPTIONAL.
- 7 AMP LOGO AND MATERIAL ID MAY BE LOCATED ON EITHER LONG SIDE OF PART.
- 8 SIZE, SHAPE OR STYLE OF THIS FEATURE MAY VARY.
- 9 CONTACT FINISH: 0.003 MIN THK TIN OVER 0.00127 MIN THK NICKEL OVER ENTIRE CONTACT.
- 10 CONTACT FINISH: 0.00076 MIN THK GOLD PLATE ON PIN MATING SURFACE, 0.003 MIN THK TIN PLATE ON SOLDER TAIL, ALL OVER 0.00127 MIN THK NICKEL BASE PLATE.



RECOMMENDED MOUNTING HOLE PATTERN FOR 1.78 MAX THICK P.C. BOARD COMPONENT SIDE SHOWN



SUPERCEDED BY 1-794305-2
 SUPERCEDED BY 1-794305-1

1	10	1	1	1-794305-2
1	9	1	1	1-794305-1
1	3	1	1	794305-2
1	2	1	1	794305-1
CONTACT		HOUSING		
MATERIAL	FINISH	MATERIAL	COLOR	PART NO

THIS DRAWING IS A CONTROLLED DOCUMENT.		DIN R VESTAL 21OCT97	Tyco Electronics Corporation	
DIMENSIONS: mm		CHK R SWING 21OCT97	Harrisburg, PA 17105-3608	
TOLERANCES UNLESS OTHERWISE SPECIFIED:		APVD 21OCT97	NAME	
0 PLC ± -	1 PLC ± 0.2	PRODUCT SPEC		
2 PLC ± 0.13	3 PLC ± -	E. BEILES		
4 PLC ± -	ANGLES ± 0.30°	APPLICATION SPEC		
MATERIAL SEE TABLE	FINISH SEE TABLE	SIZE 108-1699	SCALE 1:1	RESTRICTED TO
CUSTOMER DRAWING		WEIGHT -	DRAWING NO 00779	1 OF 1
		C=794305		REV E